

**Year 2009**

**VCE**

**Specialist Mathematics**

**Trial Examination 1**



**KILBAHA MULTIMEDIA PUBLISHING**  
**PO BOX 2227**  
**KEW VIC 3101**  
**AUSTRALIA**

**TEL: (03) 9817 5374**  
**FAX: (03) 9817 4334**  
**kilbaha@gmail.com**  
**<http://kilbaha.googlepages.com>**

## IMPORTANT COPYRIGHT NOTICE

- This material is copyright. Subject to statutory exception and to the provisions of the relevant collective licensing agreements, no reproduction of any part may take place without the written permission of Kilbaha Pty Ltd.
  - The contents of this work are copyrighted. Unauthorised copying of any part of this work is illegal and detrimental to the interests of the author.
  - For authorised copying within Australia please check that your institution has a licence from Copyright Agency Limited. This permits the copying of small parts of the material, in limited quantities, within the conditions set out in the licence.
  - Teachers and students are reminded that for the purposes of school requirements and external assessments, students must submit work that is clearly their own.
  - Schools which purchase a licence to use this material may distribute this electronic file to the students at the school for their exclusive use. This distribution can be done either on an Intranet Server or on media for the use on stand-alone computers.
  - Schools which purchase a licence to use this material may distribute this printed file to the students at the school for their exclusive use.
- 
- **The Word file (if supplied) is for use ONLY within the school.**
  - **It may be modified to suit the school syllabus and for teaching purposes.**
  - **All modified versions of the file must carry this copyright notice.**
  - **Commercial use of this material is expressly prohibited.**

**Victorian Certificate of Education  
2009**

**STUDENT NUMBER**

Figures										Letter
Words										

**SPECIALIST MATHEMATICS**

**Trial Written Examination 1**

Reading time: 15 minutes  
Total writing time: 1 hour

**QUESTION AND ANSWER BOOK**

**Structure of book**

<i>Number of questions</i>	<i>Number of questions to be answered</i>	<i>Number of marks</i>
11	11	40

- Students are permitted to bring into the examination room: pens, pencils, highlighters, erasers, sharpeners, rulers.
- Students are NOT permitted to bring into the examination room: notes of any kind, a calculator, blank sheets of paper and/or white out liquid/tape.

**Materials supplied**

- Question and answer book of 13 pages with a detachable sheet of miscellaneous formulas at the end of this booklet.
- Working space is provided throughout the booklet.

**Instructions**

- Detach the formula sheet from the end of this book during reading time.
- Write your **student number** in the space provided above on this page.
- All written responses must be in English.

**Students are NOT permitted to bring mobile phones and/or any other unauthorised electronic devices into the examination room.**

**Instructions**

Answer **all** questions in the spaces provided.

A decimal approximation will not be accepted if an **exact** answer is required to a question.

In questions where more than one mark is available, appropriate working **must** be shown.

Unless otherwise indicated, the diagrams in this book are not drawn to scale.

Take the acceleration due to gravity to have magnitude  $g \text{ m/s}^2$ , where  $g = 9.8$

**Question 1**

Consider the relation  $(x^2 + y^2)^2 = x^3 + y^3$ . Find an expression for  $\frac{dy}{dx}$  in terms of  $x$  and  $y$ .

---

---

---

---

---

---

---

---

---

---

2 marks

**Question 2**

Find the volume generated when the region enclosed by the curve with the equation

$y = 4\sin(3x)$ , the  $x$ -axis,  $x = 0$  and  $x = \frac{\pi}{6}$  is rotated about the  $x$ -axis to

form a solid of revolution.

---

---

---

---

---

---

---

---

---

---

3 marks

**Question 3**

$P(z) = z^3 + az^2 + bz - 21 = 0$  and  $P(2 + \sqrt{3}i) = 0$ . Find the values of the real numbers  $a$  and  $b$  and determine all the roots.

---

---

---

---

---

---

---

---

---

---

3 marks

**Question 4**

Consider the vectors,  $\underline{a} = 2\underline{i} - 3\underline{j} + 4\underline{k}$ ,  $\underline{b} = \underline{i} - \underline{j} + \underline{k}$  and  $\underline{c} = 3\underline{i} + y\underline{j} + 7\underline{k}$ .

Find the value of the scalar  $y$  if the vectors  $\underline{a}$ ,  $\underline{b}$  and  $\underline{c}$  form a linearly dependant set of vectors.

---

---

---

---

---

---

---

---

---

---

3 marks



**Question 6**

The position vector of a moving particle is given by  $\underline{r}(t) = \left(t + \frac{1}{t}\right)\underline{i} + \left(t^2 + \frac{1}{t^2}\right)\underline{j}$  for  $t > 0$ .

- a. Find the Cartesian equation of the path.

---

---

---

---

---

---

---

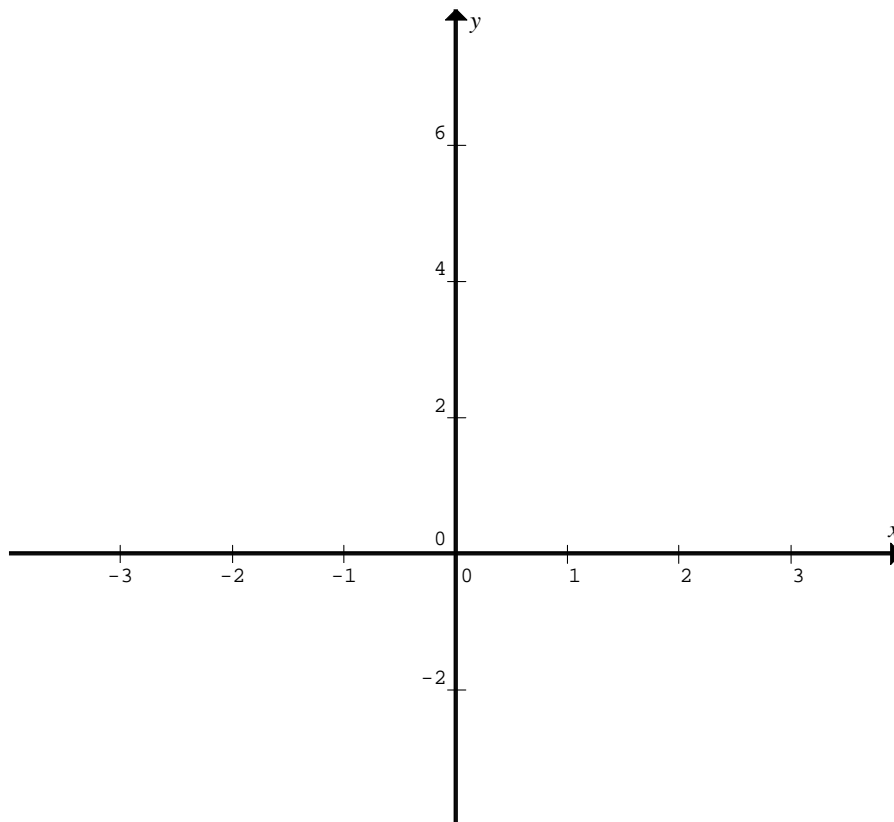
---

---

---

2 marks

- b. Sketch the path of the particle on the axes provided.



2 marks

**Question 7**

On the axes below, sketch the graph of  $y = \frac{x^4 - 16}{2x^2}$ . Give the equations of any asymptotes and the coordinates of any turning points and axial cuts.

---

---

---

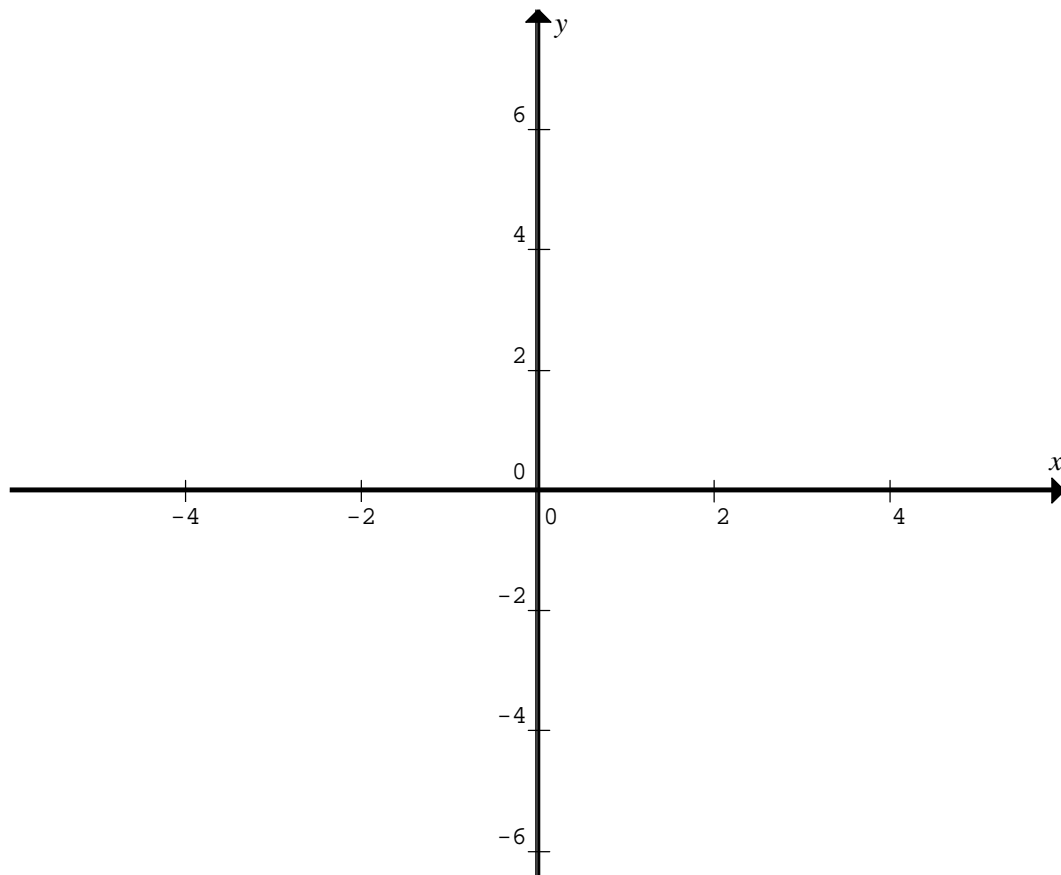
---

---

---

---

---



4 marks



**Question 8**

The gradient of a curve is given by  $\frac{x}{\sqrt{2x+3}}$ , and the curve crosses the  $x$ -axis at  $x = 3$ .

If the equation of the curve can be written in the form  $(ax + b)\sqrt{2x + 3}$ , find the values of  $a$  and  $b$ .

---

---

---

---

---

---

---

---

---

---

---

---

---

---

---

---

---

---

---

---

---

---

---

---

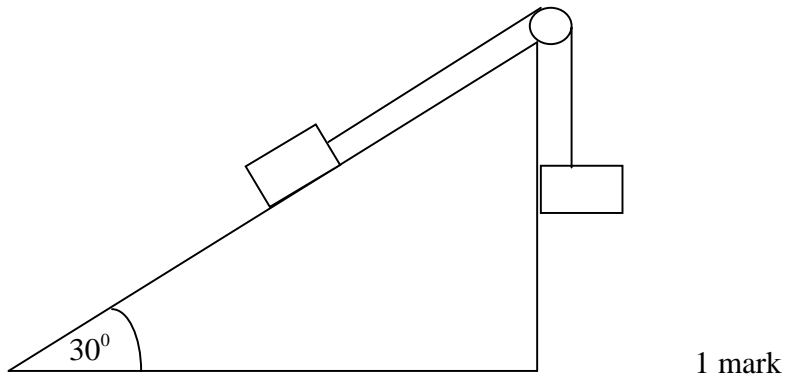
---

3 marks

**Question 9**

A crate of mass 8 kg rests on a rough plane inclined at an angle of  $30^\circ$  to the horizontal and is attached to a light inextensible string that passes over a smooth pulley at the top of the incline to a second weight of mass 10 kg hanging vertically, as shown in the diagram below. The coefficient of friction between the crate and the plane is given by  $\frac{\sqrt{3}}{4}$ . The crate moves up the plane with an acceleration of  $a \text{ m/s}^2$ .

- i. On the diagram below, mark in all the forces acting on the crate and the second weight.



- ii. Find the value of  $a$ .

---



---



---



---



---



---



---



---



---



---



---



---



---



---



---



---

4 marks

**Question 10**

- a. Sketch the graph of  $y = \frac{6}{x^2 - 6x}$  on the axes below. Give the coordinates of any turning points and axial intercepts and state the equations of all straight line asymptotes.

---

---

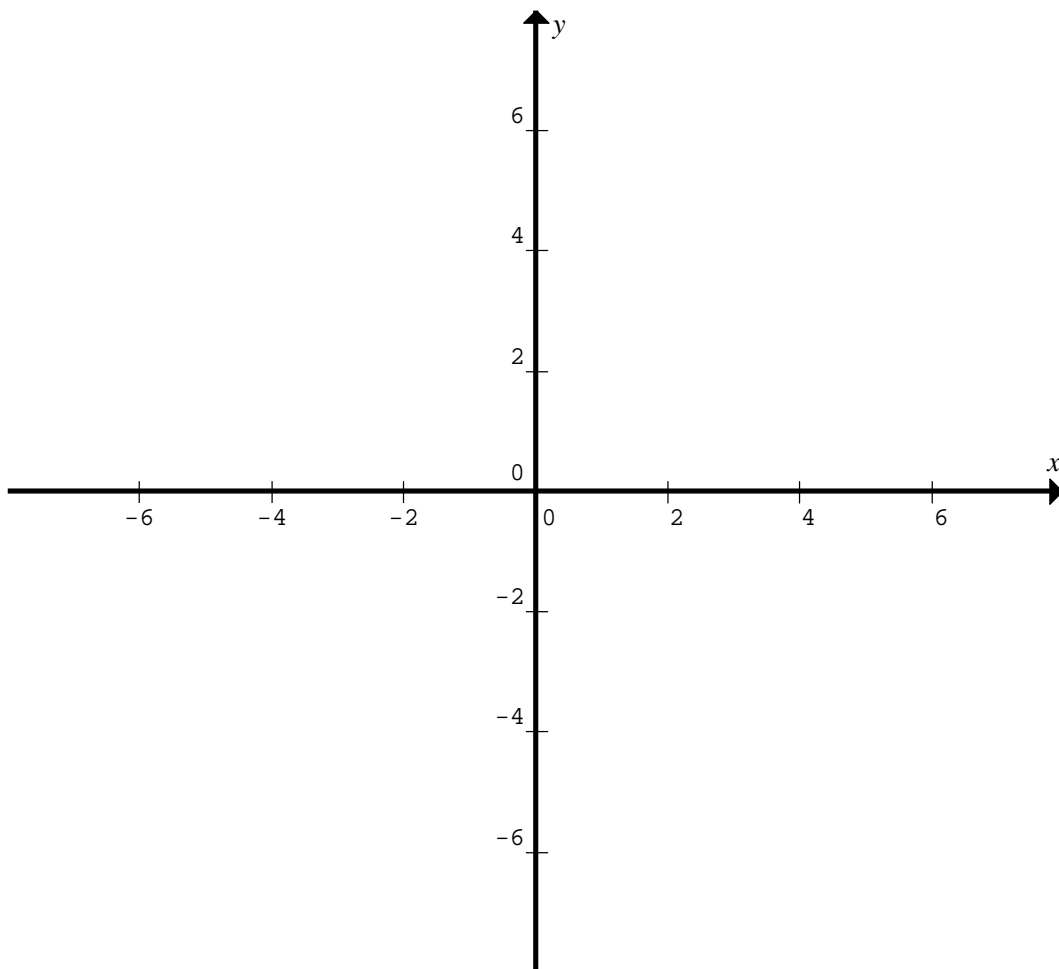
---

---

---

---

---



2 marks

- b.** Find the area bounded by  $y = \frac{6}{x^2 - 6x}$ , the  $x$ -axis, and the lines  $x = 1$  and  $x = 3$ .  
Express your answer in the form  $\log_e(a)$ , where  $a$  is a real positive constant.

---

---

---

---

---

---

---

---

---

---

---

---

---

---

---

---

---

---

---

---

---

---

---

---

---

---

---

---

---

---

3 marks

**Question 11**

Find the values of  $m$  for which  $(\sqrt{3} + i)^m - (\sqrt{3} - i)^m = 0$ .

---



---



---



---



---



---



---



---



---



---



---



---



---



---



---



---



---



---



---

4 marks

**END OF EXAMINATION**

# **SPECIALIST MATHEMATICS**

## **Written examination 1**

### **FORMULA SHEET**

#### **Directions to students**

Detach this formula sheet during reading time.

This formula sheet is provided for your reference.

## Specialist Mathematics Formulas

### Mensuration

area of a trapezium:  $\frac{1}{2}(a+b)h$

curved surface area of a cylinder:  $2\pi rh$

volume of a cylinder:  $\pi r^2 h$

volume of a cone:  $\frac{1}{3}\pi r^2 h$

volume of a pyramid:  $\frac{1}{3}Ah$

volume of a sphere:  $\frac{4}{3}\pi r^3$

area of triangle:  $\frac{1}{2}bc \sin(A)$

sine rule:  $\frac{a}{\sin(A)} = \frac{b}{\sin(B)} = \frac{c}{\sin(C)}$

cosine rule:  $c^2 = a^2 + b^2 - 2ab \cos(C)$

### Coordinate geometry

ellipse:  $\frac{(x-h)^2}{a^2} + \frac{(y-k)^2}{b^2} = 1$       hyperbola:  $\frac{(x-h)^2}{a^2} - \frac{(y-k)^2}{b^2} = 1$

### Circular ( trigonometric ) functions

$$\cos^2(x) + \sin^2(x) = 1$$

$$1 + \tan^2(x) = \sec^2(x)$$

$$\sin(x+y) = \sin(x)\cos(y) + \cos(x)\sin(y)$$

$$\cos(x+y) = \cos(x)\cos(y) - \sin(x)\sin(y)$$

$$\tan(x+y) = \frac{\tan(x) + \tan(y)}{1 - \tan(x)\tan(y)}$$

$$\cos(2x) = \cos^2(x) - \sin^2(x) = 2\cos^2(x) - 1 = 1 - 2\sin^2(x)$$

$$\sin(2x) = 2\sin(x)\cos(x)$$

$$\cot^2(x) + 1 = \operatorname{cosec}^2(x)$$

$$\sin(x-y) = \sin(x)\cos(y) - \cos(x)\sin(y)$$

$$\cos(x-y) = \cos(x)\cos(y) + \sin(x)\sin(y)$$

$$\tan(x-y) = \frac{\tan(x) - \tan(y)}{1 + \tan(x)\tan(y)}$$

$$\tan(2x) = \frac{2\tan(x)}{1 - \tan^2(x)}$$

function	$\sin^{-1}$	$\cos^{-1}$	$\tan^{-1}$
domain	$[-1, 1]$	$[-1, 1]$	$R$
range	$\left[-\frac{\pi}{2}, \frac{\pi}{2}\right]$	$[0, \pi]$	$\left(-\frac{\pi}{2}, \frac{\pi}{2}\right)$

## Algebra ( Complex Numbers )

$$z = x + yi = r(\cos(\theta) + i \sin(\theta)) = r \operatorname{cis}(\theta)$$

$$|z| = \sqrt{x^2 + y^2} = r$$

$$-\pi < \operatorname{Arg}(z) \leq \pi$$

$$z_1 z_2 = r_1 r_2 \operatorname{cis}(\theta_1 + \theta_2)$$

$$\frac{z_1}{z_2} = \frac{r_1}{r_2} \operatorname{cis}(\theta_1 - \theta_2)$$

$$z^n = r^n \operatorname{cis}(n\theta) \text{ (de Moivre's theorem)}$$

## Vectors in two and three dimensions

$$\underline{r} = x\underline{i} + y\underline{j} + z\underline{k}$$

$$|\underline{r}| = \sqrt{x^2 + y^2 + z^2} = r$$

$$\underline{r}_1 \cdot \underline{r}_2 = r_1 r_2 \cos(\theta) = x_1 x_2 + y_1 y_2 + z_1 z_2$$

$$\dot{\underline{r}} = \frac{d\underline{r}}{dt} = \frac{dx}{dt} \underline{i} + \frac{dy}{dt} \underline{j} + \frac{dz}{dt} \underline{k}$$

## Mechanics

momentum:  $\underline{p} = m\underline{v}$

equation of motion:  $\underline{R} = m\underline{a}$

sliding friction:  $F \leq \mu N$

constant ( uniform ) acceleration:

$$v = u + at \quad s = ut + \frac{1}{2}at^2 \quad v^2 = u^2 + 2as \quad s = \frac{1}{2}(u + v)t$$

acceleration:  $a = \frac{d^2x}{dt^2} = \frac{dv}{dt} = v \frac{dv}{dx} = \frac{d}{dx} \left( \frac{1}{2}v^2 \right)$



## Calculus

$$\frac{d}{dx}(x^n) = nx^{n-1}$$

$$\frac{d}{dx}(e^{ax}) = ae^{ax}$$

$$\frac{d}{dx}(\log_e(x)) = \frac{1}{x}$$

$$\frac{d}{dx}(\sin(ax)) = a \cos(ax)$$

$$\frac{d}{dx}(\cos(ax)) = -a \sin(ax)$$

$$\frac{d}{dx}(\tan(ax)) = a \sec^2(ax)$$

$$\frac{d}{dx}(\sin^{-1}(x)) = \frac{1}{\sqrt{1-x^2}}$$

$$\frac{d}{dx}(\cos^{-1}(x)) = \frac{-1}{\sqrt{1-x^2}}$$

$$\frac{d}{dx}(\tan^{-1}(x)) = \frac{1}{1+x^2}$$

$$\int x^n dx = \frac{1}{n+1} x^{n+1} + c, \quad n \neq -1$$

$$\int e^{ax} dx = \frac{1}{a} e^{ax} + c$$

$$\int \frac{1}{x} dx = \log_e(x) + c, \quad \text{for } x > 0$$

$$\int \sin(ax) dx = -\frac{1}{a} \cos(ax) + c$$

$$\int \cos(ax) dx = \frac{1}{a} \sin(ax) + c$$

$$\int \sec^2(ax) dx = \frac{1}{a} \tan(ax) + c$$

$$\int \frac{dx}{\sqrt{a^2-x^2}} = \sin^{-1}\left(\frac{x}{a}\right) + c, \quad a > 0$$

$$\int \frac{-1}{\sqrt{a^2-x^2}} dx = \cos^{-1}\left(\frac{x}{a}\right) + c, \quad a > 0$$

$$\int \frac{a}{a^2+x^2} dx = \tan^{-1}\left(\frac{x}{a}\right) + c$$

product rule:  $\frac{d}{dx}(uv) = u \frac{dv}{dx} + v \frac{du}{dx}$

quotient rule:  $\frac{d}{dx}\left(\frac{u}{v}\right) = \frac{v \frac{du}{dx} - u \frac{dv}{dx}}{v^2}$

chain rule:  $\frac{dy}{dx} = \frac{dy}{du} \frac{du}{dx}$

Euler's method If  $\frac{dy}{dx} = f(x)$ ,  $x_0 = a$  and  $y_0 = b$ , then  $x_{n+1} = x_n + h$  and  $y_{n+1} = y_n + hf(x_n)$

**END OF FORMULA SHEET**